

NAME: RF Audio Controller(Aluminum version)

MODEL: RGBAURF1



Summarization

RF Audio controller adopts the advanced micro control unit, it is used for controlling a variety of lamp whose source of light is LED. For instance, point source of light, flexible light strip, wall washer lamp, glass curtain wall light and so on; At the same time, it has many advantages such as convenient connection, simplicity to use and others. According to the actual need of customers, it can carry out jump changing, gradual changing, stroboflash and other effects of change.

Technical parameters

Working temperature: -20-60

Supply voltage: DC5V, 12V, 18V, 24V <optional> (for orders specify voltage)

Output: 3 channels

Connecting mode: common anode

Transmission/Receiving frequency: 433Mhz

External dimension: L130 W64 H24 mm

ing size: L145 W95 H50 mm

Net weight: 185g

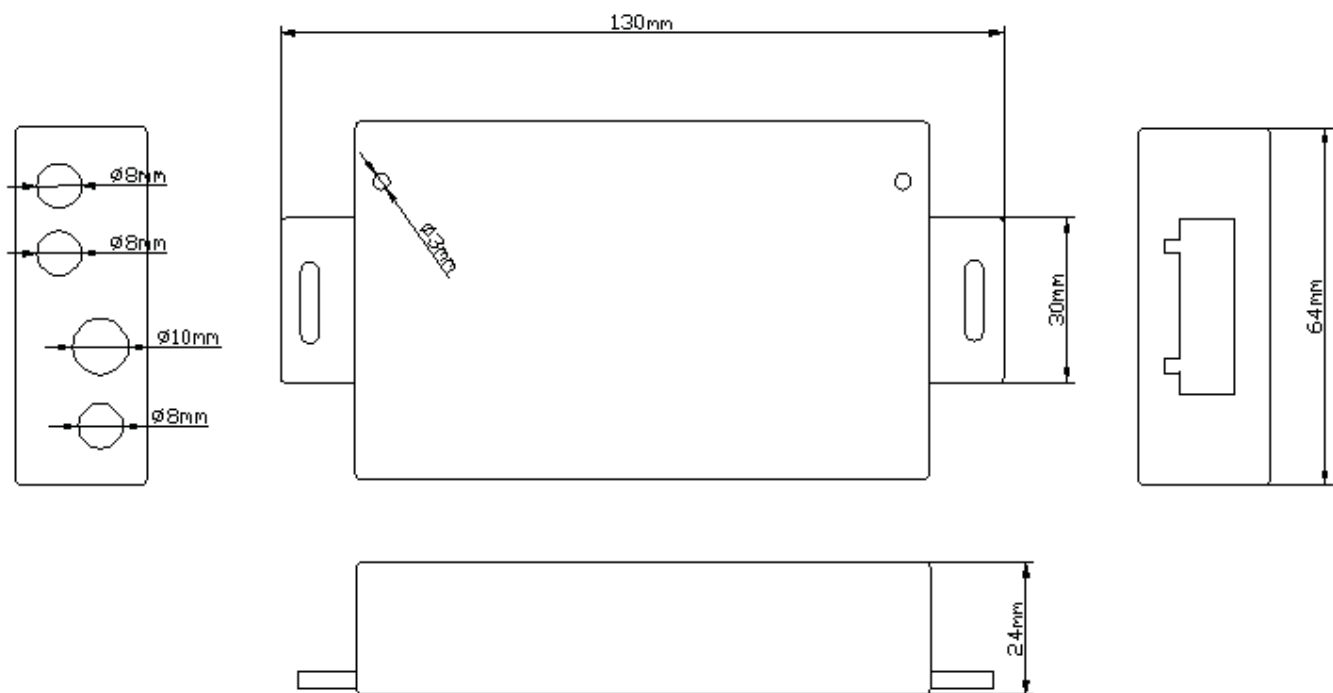
Gross weight: 220g

Static power consumption: <1W

Output current: <4A (each channel)

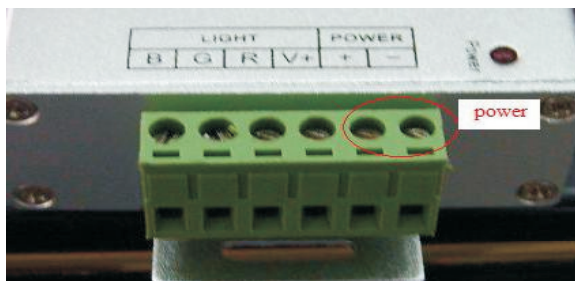
Output power: 5V:<60W, 12V:<144W, 24V:<288W

External Dimension



Adopt conventional DC power Transposon as power input interface, and equip with plug-DC.

Power input interface (the second way):



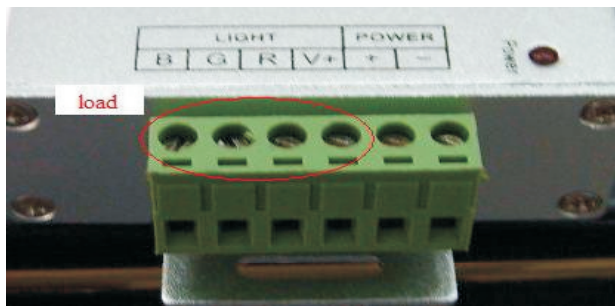
Adopt male and female connector with screw.

Signal input interface:



Adopt 3.5 earphone tie-in insert Audio.

Load output interface:



Adopt male and female connector with screw.

Direction for use

1. Connect the load wire at first, following by the power wire; **Please ensure short circuit can not occur between connecting wire before you turn on the power;**
2. Adopt RF control, there are six buttons altogether, and every key-press function is as follows:

ON/OFF: any state to close load output;

MODE is the style/color function key, could choose different color changes, 13 total;

Button \uparrow B \uparrow : Brightness control of the output signal each press changing speed +1, 256 total.

Button \downarrow B \downarrow : each press brightness changing -1

Button \uparrow S \uparrow : each press changing speed +1, 100 total.

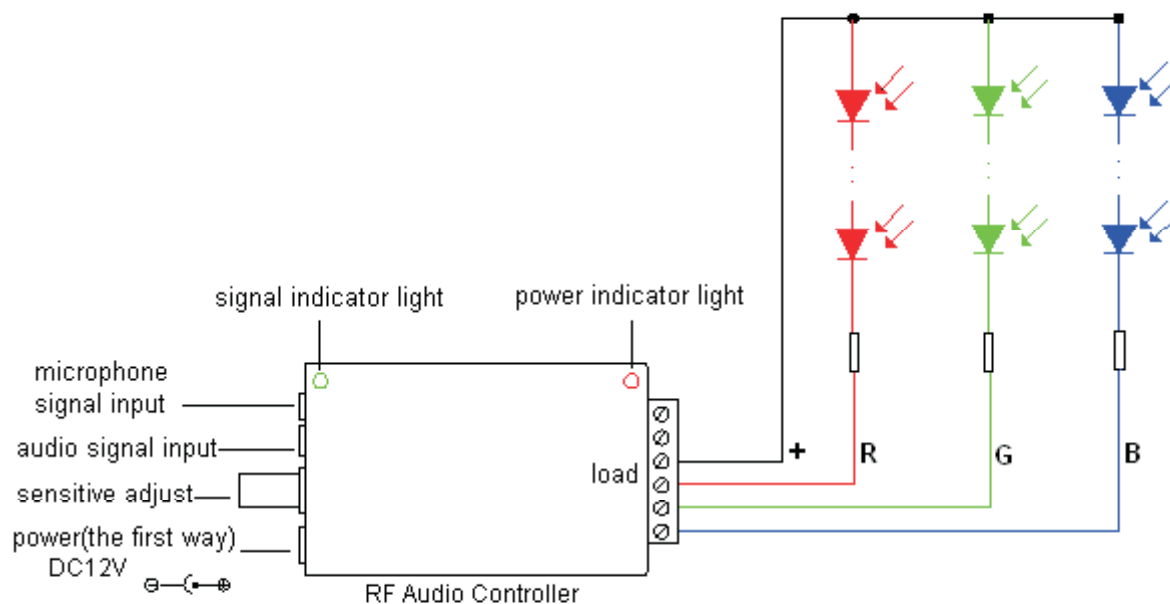
Button \downarrow S \downarrow : each press changing speed -1.

Note: When the external microphone input and audio signal input at the same time, system will process the audio signal.

3. Standard changes function as the following form:

No	Patterns	Remarks
1	Static red	Brightness is adjustable, Speed is unadjustable.
2	Static green	
3	Static yellow	
4	Static blue	
5	Static purple	
6	Static cyan	
7	Static white	
8	Three-color ujn py changing	Speed and brightness are adjustable
9	Seven-color ujmpy changing	
10	Three-color gradual changing	Speed is adjustable
11	Seven-color gradual changing	
12	Three-color ujn py changing(external signal)	Speed changes with the voice swing, brightness controlled with hte volume,the figher volume si, the greater hte brightness.
13	Seven-color ujmpy changing (external signal)	

Application circuit 1: Typical Application



Application circuit 2

